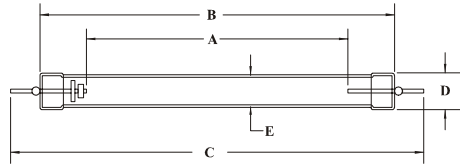




## Specifications of Xenon Flash Tube 4.) For Warning Beacon Application



*Xenon Flash Tube*

### Linear Xenon Flash Tube

Model	Min. Anode Volt. (V)	Nom. Anode Volt. (V)	Max. Anode Volt. (V)	Flash Capacitor (μF)	Flash Energy (Ws)	Min. Trig. Volt. (kV) vp	Flash Per Sec. (Flash)	Life/No. of flashes (1,000 Flashes)	Dimensions A (mm)	Dimensions B (Tube length) (mm)	Dimensions E (Tube diameter) (mm)
FFT-F-I031501300	200	300	330	10	0.45	4	3	300	6	13	3.15
FFT-F-I031501800	210	300	330	10	0.45	4	3	1,000	11	18	3.15
FFT-F-I031502000	210	210	260	10	0.22	4	3	300	11	20	3.15
FFT-F-I031502800	210	300	330	10	0.45	4	3	1,000	18	28	3.15
FFT-F-I031503200	230	300	320	10	0.45	4	3	1,000	22	32	3.15
FFT-F-I031503500	210	300	330	10	0.45	4	3	1,000	25	35	3.15
FFT-F-I031504500	210	300	330	10	0.45	4	3	300	31	45	3.15
FFT-D-I032002200	220	300	330	10	0.45	4	3	1,000	10	22	3.2
FFT-D-I032002500	180	300	300	10	0.45	4	4	1,000	15.5	24.5	3.2
FFT-D-I032003000	220	300	330	10	0.45	4	3	1,000	18	30	3.2
FFT-D-I032003500	180	300	330	10	0.45	4	3	1,000	21	35	3.2
FFT-D-I032004000	230	300	330	33	1.49	4	2	100	26	40	3.2
FFT-D-I032004500	200	300	330	10	0.45	4	3	1,000	31	45	3.2
FFT-D-I036003300A	180	300	330	47	2.12	4	1	1,000	21	33	3.6
FFT-D-I036003500	220	330	350	10	0.54	4	3	1,000	21	35	3.6
FFT-D-I036003800	220	300	330	10	0.45	4	3	1,000	24	38	3.6
FFT-D-I036004300	240	330	350	30	1.63	4	3	1,000	29	43	3.6
FFT-D-I036005550	230	330	350	10	0.54	4	8	3,000	41.5	55.5	3.6
FFT-D-I036006400	250	300	330	22	0.99	4	3	1,000	50	64	3.6
FFT-D-I041005000	230	330	350	10	0.54	4	8	1,000	36	50	4.1
FFT-D-I060008500	200	300	330	10	0.45	4	9	1,000	61	85	6.0
FFT-D-I060009500	200	300	320	10	0.45	4	9	1,000	71	95	6.0

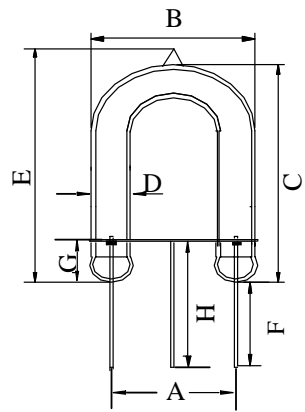


Figure A

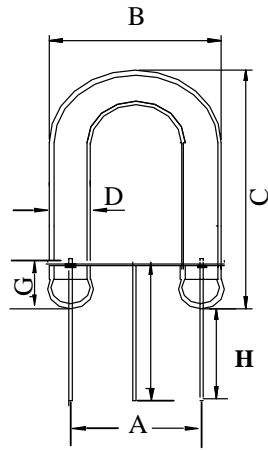


Figure B

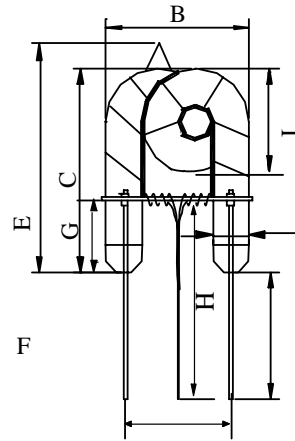


Figure C

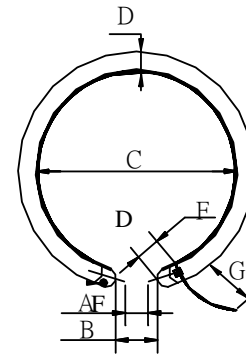


Figure D

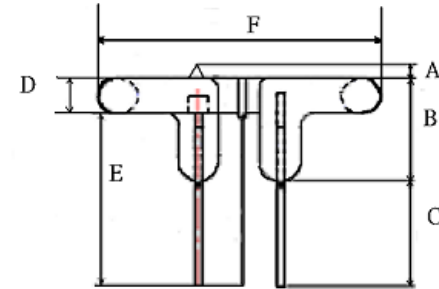


Figure E

**U-shaped Xenon Flash Tube**

Model	Figure	Min. Anode Volt. (V)	Nom. Anode Volt. (V)	Max. Anode Volt. (V)	Flash Capacitor (μF)	Flash Energy (Ws)	Min. Trig. Volt. (kV) vp	Flash Per Sec. (Flash)	Life/No. of flashes (1,000 Flashes)	Dimensions A (mm)	Dimensions B (mm)	Dimensions C (mm)	Dimensions D (mm)	Dimensions E (mm)	Dimensions F (mm)	Dimensions G (mm)	Dimensions H (mm)
FFT-D-U031524130	B	170	220	300	47	1.14	4	3	300	10	13	24	3.15	/	3	4	8.5
FFT-D-U03152214A	B	200	330	350	10	0.54	4	3	300	10.5	14	22.5	3.15	/	8	4	12.5
FFT-D-U031522160	B	200	330	350	10	0.54	4	3	300	13.5	16.5	22	3.15	/	8	4	12.5
FFT-D-U041014150	A	220	300	330	60	2.7	4	1	300	10.9	15	14	4.1	16	12	5.5	17.5
FFT-D-U041022160	A	200	300	330	10	0.45	4	2	1,000	12.3	16.4	22	4.1	24	3.5	7	11
FFT-D-U060030170	A	200	300	330	180	8.1	4	3	1,000	11	17	30	6	32	45	11	57
FFT-D-U060030190	A	200	250	280	290	9.06	4	3	1,000	13	19	30	6	32	16.5	11	29.5
FFT-D-U060030200	A	200	300	330	47	2.12	4	9.5	1,000	14	20	30	6	32	28.8	11	40.8
FFT-D-U060034240	A	200	250	280	100	3.12	4	5	3,000	18	24	34	6	36	16	11	28
FFT-D-U06003422	A	200	300	330	180	8.1	4	3	1,000	16	22	34	6	36	45	11	58
FFT-D-U060035210	A	200	350	380	100	6.12	4	2	1,000	15	21	35	6	38	21.5	11	34

**M-shaped Xenon Flash Tube**

Model	Figure	Min. Anode Volt. (V)	Nom. Anode Volt. (V)	Max. Anode Volt. (V)	Flash Capacitor (μF)	Flash Energy (Ws)	Min. Trig. Volt. (kV vp)	Flash Per Sec. (Flash)	Life/No. of flashes (1,000 Flashes)	Dimensions A (mm)	Dimensions B (mm)	Dimensions C (mm)	Dimensions D (mm)	Dimensions E (mm)	Dimensions F (mm)	Dimensions G (mm)	Dimensions H (mm)
FFT-D-M060030220	C	130	300	320	10	0.45	4	1	1,000	16	22	30	6	32	23	11	38
FFT-D-M060030230	C	200	290	310	100	4.21	4	3	1,000	17	23	30	6	32	10	11	/

**O-shaped Xenon Flash Tube**

Model	Figure	Min. Anode Volt. (V)	Nom. Anode Volt. (V)	Max. Anode Volt. (V)	Flash Capacitor (μF)	Flash Energy (Ws)	Flash Rate (Sec.)	Light Reduction after life (%)	Life/No. of flashes (Flash)	Dimensions A (mm)	Dimensions B (mm)	Dimensions C (mm)	Dimensions D (mm)	Dimensions E (mm)	Dimensions F (mm)	Dimensions G (mm)	Dimensions H (mm)
FFT-O-O060006600	D	300	330	360	1200	65.34	15	<10	3,000	8	13	66	6	/	10	80	/
FFT-O-O060032170	E	220	360	550	1240	80	10	<10	10,000	3	17	40	6	50	32	/	/
FFT-O-O060038180	E	220	360	550	1550	100	10	<10	10,000	3	18	40	6	50	38	/	/
FFT-O-O060042190	E	220	360	550	1850	120	10	<10	10,000	3	19	40	6	60	42	/	/
FFT-O-O060046200	E	220	360	550	2320	150	10	<10	10,000	3	20	45	6	60	46	/	/